

GENERAL INFORMATION

LED Driver Type	Constant Current (Class 2)
Maximum Wattage	16 Watts
Input Voltage	120 VAC ± 10% Dedicated 120 - 277 VAC ± 10% Universal
Input Frequency	50/60Hz
Total Harmonic Distortion	<20%

CASE STYLE Q: POLYCARBONATE



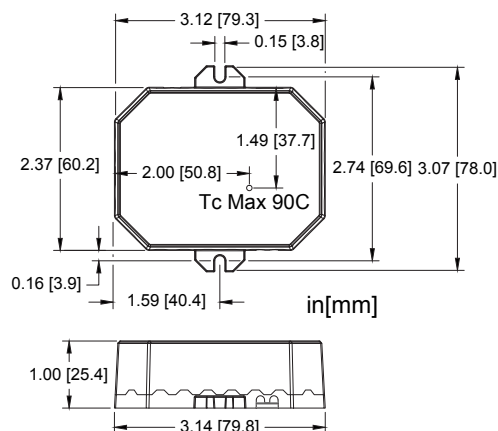
ELECTRICAL SPECIFICATIONS

Watts	Rated Current	Output Voltage	Dimming Type	Input Voltage	Input Power	Input Current	Power Factor	Efficiency	Hatch Part Number
16W	*350mA	15-46 VDC	0-10V Dimming	120-277 VAC	20W	0.19/0.09A	>0.90	83%	LC16-0350Z-UNV-Q
	500mA	10-32 VDC	0-10V Dimming	120-277 VAC	20W	0.19/0.09A	>0.90	83%	LC16-0500Z-UNV-Q
	600mA	9-27 VDC	0-10V Dimming	120-277 VAC	20W	0.19/0.09A	>0.90	83%	LC16-0600Z-UNV-Q
	700mA	8-23 VDC	0-10V Dimming	120-277 VAC	20W	0.19/0.09A	>0.90	83%	LC16-0700Z-UNV-Q
	*350mA	15-46 VDC	Phase Dimming	120 VAC	20W	0.18A	>0.90	80%	LC16-0350P-120-Q
	400mA	13-40 VDC	Phase Dimming	120 VAC	20W	0.18A	>0.90	80%	LC16-0400P-120-Q
	500mA	10-32 VDC	Phase Dimming	120 VAC	20W	0.18A	>0.90	80%	LC16-0500P-120-Q
	600mA	9-27 VDC	Phase Dimming	120 VAC	20W	0.18A	>0.90	80%	LC16-0600P-120-Q
	700mA	7-23 VDC	Phase Dimming	120 VAC	20W	0.18A	>0.90	80%	LC16-0700P-120-Q
	1000mA	6-16 VDC	Phase Dimming	120 VAC	20W	0.18A	>0.90	80%	LC16-1000P-120-Q
	1050mA	6-16 VDC	Phase Dimming	120 VAC	20W	0.18A	>0.90	80%	LC16-1050P-120-Q

PRODUCT FEATURES

- Short circuit and overload protection
- Suitable for dry and damp locations
- Withstanding voltage: I/P – O/P 2kVAC
- Operating temperature range: -40°C to 90°C (measured at Tcase)
- MTBF: 374,000 hours @ 40°C ambient (~70°C case temp)
- Surge voltage rating: L-N 2kV
- Inrush Current: <5A Max @120VAC for 120V input models, cold start 25°C
- Inrush Current: <10A Max @230VAC for Universal input models, cold start 25°C
- Output Current tolerance +/- 5% @ 25°C
- 0-10V dimming range: 10%-100%

MECHANICAL SPECIFICATIONS: CASE STYLE Q



APPROVALS

*Class 2 US Only

- UL 8750, Class P
- EN61000-3-2
- EMC: Meets FCC47 CFR Part 15 (Class B) consumer limits
- IP66



WARRANTY

- 5 Year Limited Warranty

RELATED PRODUCT

- Case Style D: 4.80" x 1.60" x 1.00"
- Case Style D1: 4.80" x 1.60" x 1.00"

DIMENSIONS [IN/MM]

Length:	3.07 [78.0]
Mounting:	2.74 [69.6]
Width:	3.14 [79.8]
Height:	1.00 [25.4]

WIRING INFORMATION

Input:	12", Black (L), White (N) #18AWG
Output:	12", Red (+), Blue (-) #18AWG #22AWG (with Class 2 Output)
Dimming:	12", Purple (+), Grey (-) #22AWG

PACKAGING INFORMATION

Weight:	6.4 oz
Quantity:	50pc/carton

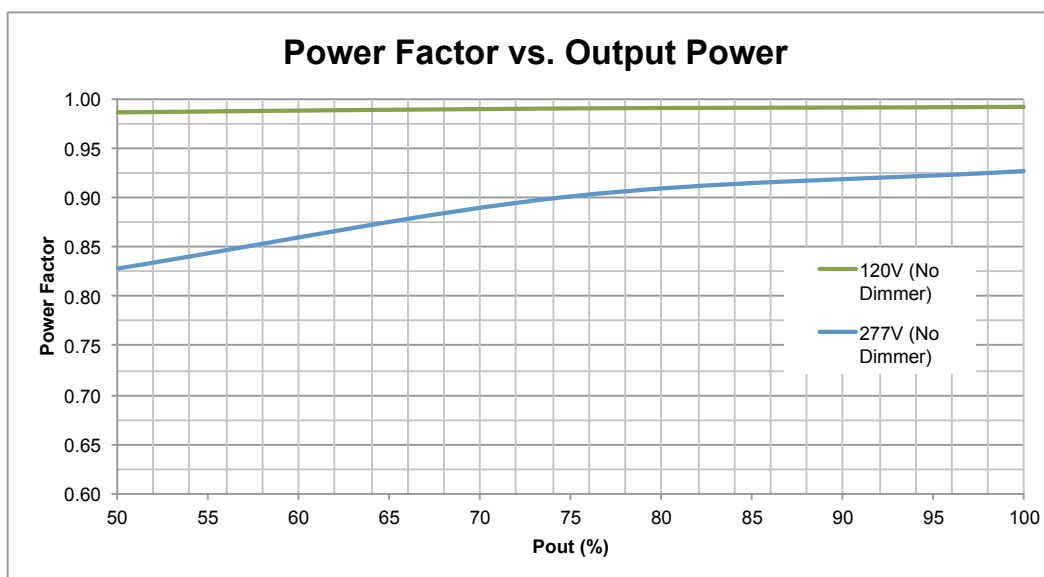
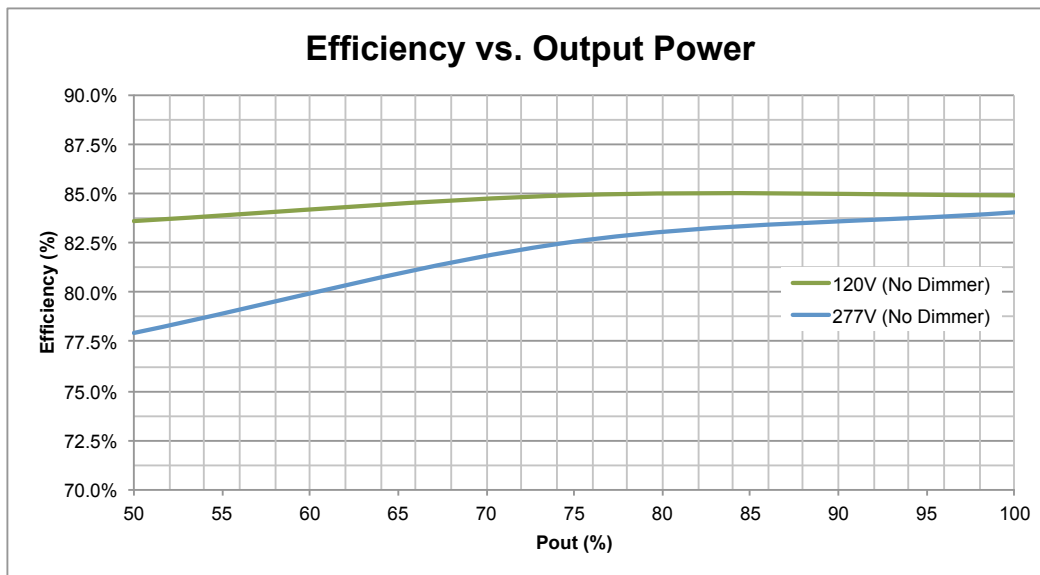
GENERAL INFORMATION

LED Driver Type	Constant Current (Class 2)
Maximum Wattage	16 Watts
Input Voltage	120 VAC ± 10% Dedicated 120 - 277 VAC ± 10% Universal
Input Frequency	50/60Hz
Total Harmonic Distortion	<20%

CASE STYLE Q: POLYCARBONATE



PERFORMANCE CURVES



Efficiency and PF measured at 25°C.
Measurements made on model LC16-0700Z-UNV-Q.

GENERAL INFORMATION

LED Driver Type	Constant Current (Class 2)
Maximum Wattage	16 Watts
Input Voltage	120 VAC ± 10% Dedicated 120 - 277 VAC ± 10% Universal
Input Frequency	50/60Hz
Total Harmonic Distortion	<20%

CASE STYLE Q: POLYCARBONATE



PERFORMANCE CURVES

