

PERFORMANCE

- Sound Rated: A
- Minimum Starting Temperature: -20°F, -29°C
- Maximum Case Temperature: 194°F, 90°C
- Meets FCC Part 18 (Class A) Non Consumer Limits
- Electronic Sign Ballast for 4, 5 and 6 T12HO lamps up to 8 ft long or any combination thereof from 8-48 ft
- Electronic Sign Ballast for 4, 5 and 6 T8HO lamps up to 6 ft long or any combination thereof from 16-36 ft

APPROVALS

- HL Type - Hazardous Location
- UL, cUL 935 Listed



HOT SPOT LOCATION



WIRE LENGTHS

- (1) Black 24"
- (1) White 24"
- (1) Yellow 144"
- (1) Yellow/Black 144"
- (3) Red 144"
- (3) Blue 144"

3 YEAR WARRANTY FROM DATE OF MANUFACTURE

ELECTRONIC FLUORESCENT SIGN BALLAST

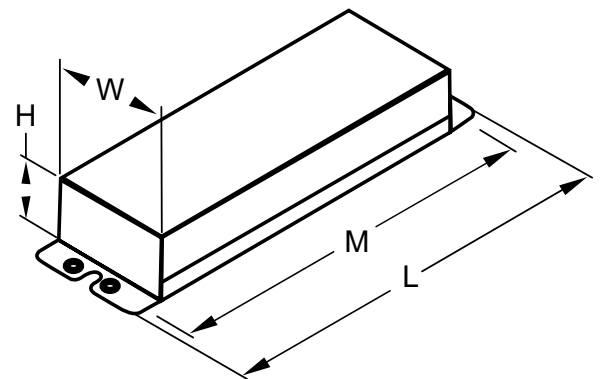
Ballast Type	Electronic	Starting Method	Instant Start
Lamp Connection	Parallel	Input Voltage	120 ~ 277Vac ± 10%
Input Frequency	50Hz / 60Hz		

Electrical Specifications

Lamp Type	No. of Lamps	Lamp Footage		Volts	Input Watts	Input Current (Amps)	Power Factor	Crest Factor	Max. THD %
		Min	Max						
F96T12/HO	6, 5, 4	8	48	120	410	3.50	>0.98	<1.7	10
F96T12/HO	6, 5, 4	8	48	277	405	1.50	>0.97	<1.7	10
F72T8/HO	6, 5, 4	16	36	120	370	3.20	>0.98	<1.7	10
F72T8/HO	6, 5, 4	16	36	277	365	1.36	>0.96	<1.7	10

Physical Dimensions

Length (L): 14.45"
 Width (W): 3.23"
 Height (H): 2.20"
 Mounting (M): 13.75"

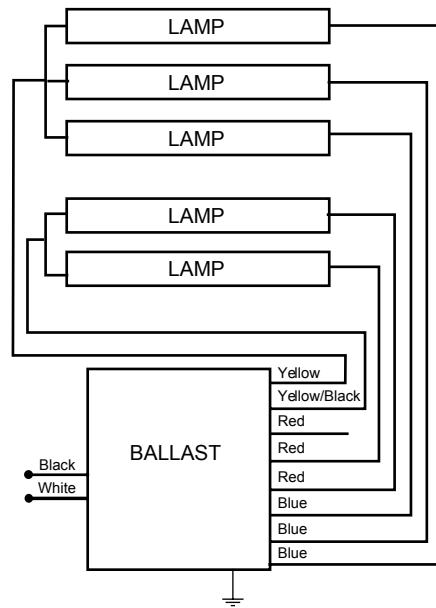
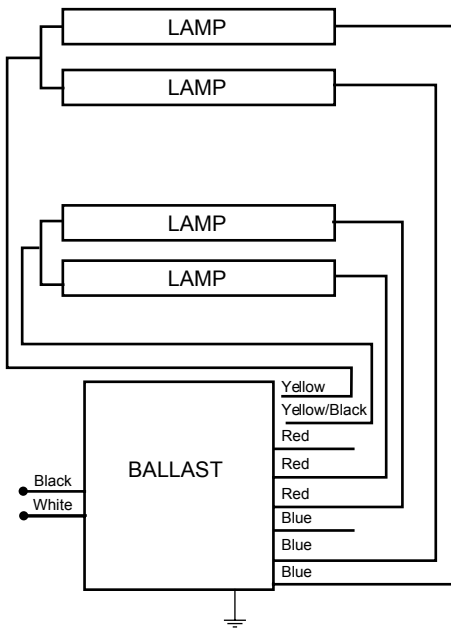


Wiring Diagram

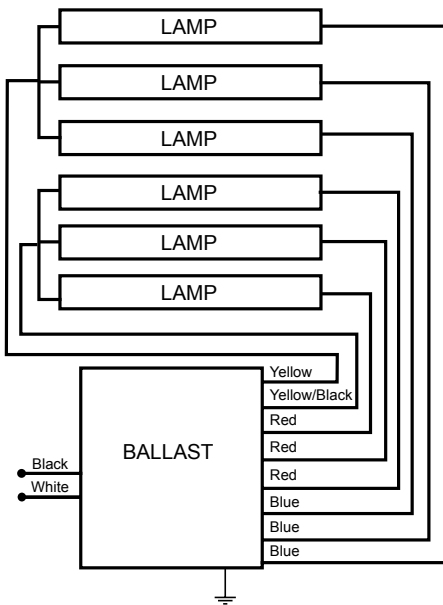
Shown on Pg. 2



Wiring Diagram Continued



Four and Five Lamp Applications
(Individually cap blue leads)



Six Lamp Application