

LSP10-SM

LED Surge Protector

The LSP10-SM is designed to be used in conjunction with LED Drivers and fixtures to provide an additional level of protection against powerline disturbances in industrial, commercial and residential applications where surge protection to IEEE C62.41.2 is required. The LSP10-SM can Also protects Electronic Fluorescent & HID ballasts as well as all other electronic products. This product provides single phase protection for line/neutral, line/ground and neutral/ground and is a Type 4CA SPD for field or factory installation.

Hatch Surge Protector Features

SNAPLOCK™

MOUNTING



- One step secure mounting to a 1/2" standard electrical Knockout
- Eliminates need for lock nuts - quick and easy installation
- One hand installation
- No tools required
- High temperature, flame retardant plastic enclosure, 85°C maximum surface temperature rating

SPECIFICATIONS:

Input Voltage	120-277V (+/- 5%)		
Frequency	60Hz		
Maximum Continuous Voltage	320V		
Open Circuit Voltage	10kV		
Maximum Discharge Current	10kA (8/20µs standard wave)		
Nominal Discharge Current	5kA		
Measured Limiting Voltage (VpK)	L-N	L-G	N-G
	1180	1180	1180
Thermal Protection:	Thermally protected transient over-voltage circuit		

Pulse Rating (8 x 20 µSec)

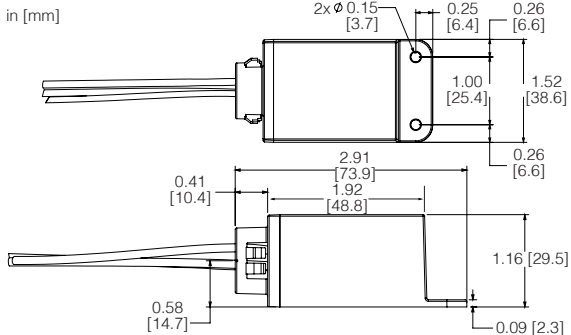
Surge Level	# of Strikes
	L-G, N-G
10,000A	1
6,500A	2
3,000A	15



MECHANICAL DIMENSIONS:

SNAPLOCK™ Model

Snaps into a 1/2" K.O. or can be mounted by feet



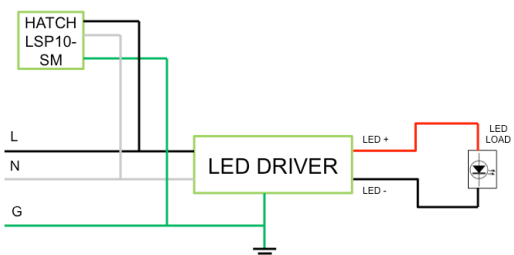
DIMENSIONS [IN/MM]

Length:	2.91 [73.90]
Mounting hole:	0.15 [3.70]
Width:	1.52 [38.60]
Height:	1.16 [29.50]

WIRING INFORMATION

Surge Protector Wires 6", Black (L), White (N), Green (G) #16 AWG

WIRING DIAGRAM:



PACKAGING INFORMATION

Weight:	2.43oz
Quantity:	100pc/carton

WARRANTY

- 5 year limited warranty