

LSP3-10

Surge Protection Device

The Hatch LSP3 surge protection device provides single phase protection for line/neutral, line/ground and neutral/ground in accordance with recommendations in IEEE C62.41.2-2002 Category C High Exposure (10KV, 1.2/50µS & 10KA, 8/20µS) and the surge limits and testing requirements specified in ANSI C82.77-5-2017 for lighting equipment, Category C Medium Exposure level (10KV, 1.2/50µS & 5KA, 8/20µS). The unit was designed to meet new design requirements for luminaires using LED light engines. The LSP3 offers protection for LED luminaires in a small and convenient flat form factor with thermal protection and an EOL (end-of-life) LED indicator that monitors L/N, L/G and N/G.

The surge protector is **Type 4CA SPD** and is designed to be wired in parallel. Also protects Electronic Fluorescent & HID ballasts as well as all other electronic products.



Field or Factory
Installable

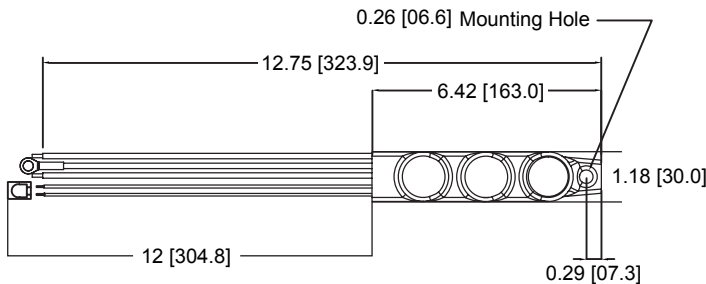
SPECIFICATIONS:

Input Voltage	120-277V (+/- 5%)		
Frequency	50Hz-60Hz		
Maximum Continuous Voltage	385V		
Maximum Discharge Current	10kA (8/20µs standard wave)		
Nominal Discharge Current	5kA		
Max Case Temperature	85°C		
Measured Limiting Voltage (VpK)	L-N	L-G	N-G
	1750	1750	1750

Pulse Rating (8 x 20 µSec)	
Surge Level	# of Strikes L-N, L-G, N-G
10,000A	1
6,500A	2
5,000A	15
2,000A	100
700A	1000

MECHANICAL DIMENSIONS:

in [mm]⁺ Reference Dimensions Only



DIMENSIONS [IN/MM]

Length:	6.42 [163.0]
Mounting hole:	0.26 [6.6]
Width:	1.18 [30.0]
Height:	0.80 [20.0]

WIRING INFORMATION

Surge Protector Wires	6", Black (L), White (N), Green (G) #14 AWG
EOL Indicator wires (optional)	12", Red (R), Blue(B) #22AWG

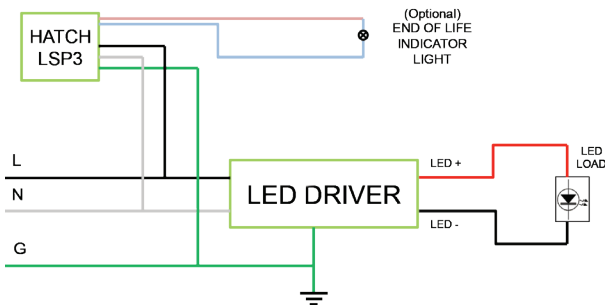
PACKAGING INFORMATION

Weight:	3.07oz
Weight with optional EOL:	3.41oz
Quantity:	50pc/carton

WARRANTY

- 5 year limited warranty

WIRING DIAGRAM:



EOL Indicator: When illuminated, LSP3 is working correctly. When the indicator goes out, LSP3 needs to be replaced as soon as possible.

Note: LED Mounting Clip: BIVAR model: C-150-SR

ORDERING GUIDE

LSP3-10-UNV	No EOL
LSP3-10L-UNV	With EOL

Specifications subject to change without notice.