



Surge Protection Devices

The Hatch LSP10-SM surge protection device provides single phase protection for line/neutral, line/ground, and neutral/ground. The LSP10-SM offers protection for LED luminaires in a small and convenient flat form factor. The surge protector is a **Type 4CA SPD** suitable for field or factory installation and is designed to be wired in parallel. The LSP10-SM also protects Electronic Fluorescent and HID ballasts as well as all other electronic products. The LSP10-SM is designed to meet the following testing requirements:

Standard	Category
ANSI C136.2-2018	Enhanced Test Level
IEEE C62.41.2-2002	Cat. C High Exposure (10kV, 1.2/50µS & 10kA, 8/20µs)
ANSI C82.77-5-2017	Cat. C Medium Exposure Level (10kV, 1.2/50µs & 5kA, 8/20µs)

SURGE PROTECTION DEVICES LSP10-SM

FEATURES

SNAPLOCK™

MOUNTING



SPECIFICATIONS

Input Voltage	120-277V (+/- 5%)		
Frequency	60Hz		
Maximum Continuous Voltage	320V		
Maximum Discharge Current	10kA (8/20µs standard wave)		
Nominal Discharge Current	5kA		
Measured Limiting Voltage (VpK)	L-N	L-G	N-G
	1180	1180	1180
Thermal Protection	Thermally protected transient over-voltage circuit		

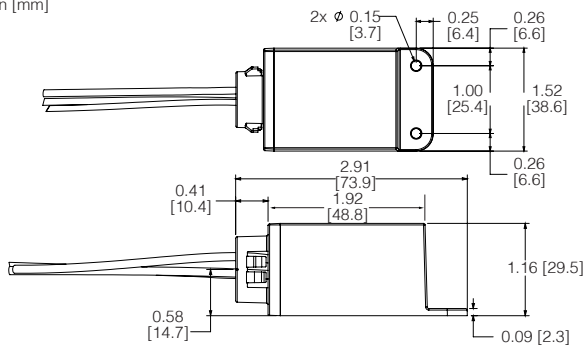
Pulse Rating (8 x 20 µSec)

Surge Level	# of Strikes
	L-G, N-G, L-N
10,000A	1
6,500A	2
5,000A	15

MECHANICAL DIMENSIONS

SNAPLOCK™ Model

Snaps into a 1/2" K.O. or can be mounted by feet in [mm]



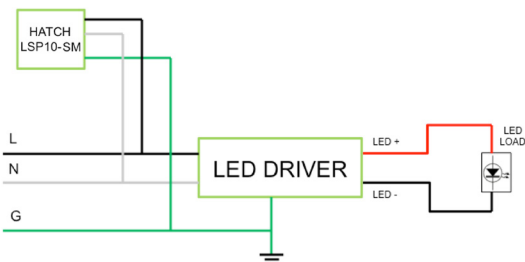
DIMENSIONS [MM]

Length	2.91 [73.90]
Mounting Hole	0.15 [3.70]
Width	1.52 [38.60]
Height	1.16 [29.50]

WIRING INFORMATION

Surge Protector Wires	6", Black (L), White (N), Green (G) #16 AWG
------------------------------	---

WIRING DIAGRAM



PACKAGING INFORMATION

Weight	2.43oz
Quantity	100pc/carton

APPROVALS



WARRANTY

- 5 year limited warranty

