



# Surge Protection Devices

The Hatch LSP3 surge protection device provides single phase protection for line/neutral, line/ground, and neutral/ground. The LSP3 offers protection for LED luminaires in a small and convenient flat form factor with thermal protection and an EOL (end-of-life) LED indicator that monitors L/N, L/G and N/G. The surge protector is a **Type 4CA SPD** suitable for field or factory installation and is designed to be wired in parallel. The LSP3 also protects Electronic Fluorescent and HID ballasts as well as all other electronic products. The LSP3 is designed to meet the following testing requirements:

| Standard           | Category  |
|--------------------|---|
| ANSI C136.2-2018   | Enhanced Test Level   |
| IEEE C62.41.2-2002 | Cat. C High Exposure (10kV, 1.2/50µS & 10kA, 8/20µs)        |
| ANSI C82.77-5-2017 | Cat. C Medium Exposure Level (10kV, 1.2/50µs & 5kA, 8/20µs) |

## SURGE PROTECTION DEVICES LSP3-10

Field or Factory Installable



### Ordering Guide

|              |          |
|--------------|----------|
| LSP3-10-UNV  | No EOL   |
| LSP3-10L-UNV | With EOL |

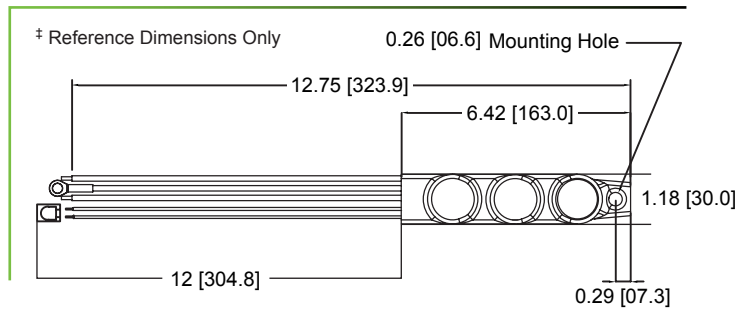
## SPECIFICATIONS

|                                 |                             |      |      |
|---------------------------------|-----------------------------|------|------|
| Input Voltage                   | 120-277V (+/- 5%)           |      |      |
| Frequency                       | 50Hz-60Hz                   |      |      |
| Maximum Continuous Voltage      | 385V                        |      |      |
| Maximum Discharge Current       | 10kA (8/20µs standard wave) |      |      |
| Nominal Discharge Current       | 5kA                         |      |      |
| Max Case Temperature            | 85°C                        |      |      |
| Measured Limiting Voltage (VpK) | L-N                         | L-G  | N-G  |
|                                 | 1750                        | 1750 | 1750 |

### Pulse Rating (8 x 20 µSec)

| Surge Level | # of Strikes  |
|-------------|---------------|
|             | L-G, N-G, L-N |
| 10,000A     | 1             |
| 6,500A      | 2             |
| 5,000A      | 15            |
| 2,000A      | 100           |
| 700A        | 1000          |

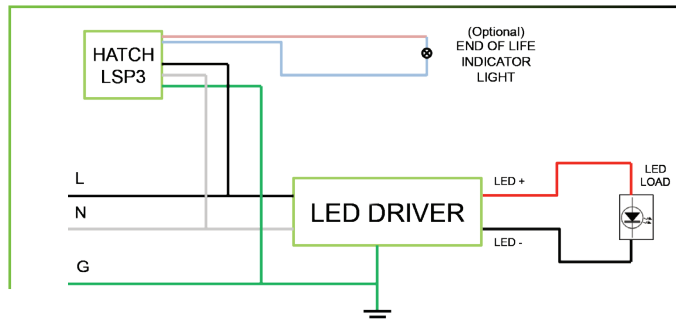
## MECHANICAL DIMENSIONS [MM]



## DIMENSIONS [MM]

|               |              |
|---------------|--------------|
| Length        | 6.42 [163.0] |
| Mounting Hole | 0.26 [6.6]   |
| Width         | 1.18 [30.0]  |
| Height        | 0.80 [20.0]  |

## WIRING DIAGRAM



**EOL Indicator:** When illuminated, LSP3 is working correctly. When the indicator goes out, LSP3 needs to be replaced as soon as possible.

**Note:** LED Mounting Clip: BIVAR model: C-150-SR

Specifications subject to change without notice.



## WIRING INFORMATION

|                                |   |
|--------------------------------|---|
| Surge Protector Wires          | 6", Black (L), White (N), Green (G) #14 AWG |
| EOL Indicator Wires (Optional) | 12", Red (R), Blue (B) #22 AWG              |

## PACKAGING INFORMATION

|                          |             |
|--------------------------|-------------|
| Weight                   | 3.07oz      |
| Weight with Optional EOL | 3.41oz      |
| Quantity                 | 50pc/carton |

## APPROVALS



## WARRANTY

- 5 year limited warranty