



**Emergency  
Lighting  
Products**

## PRODUCT DESCRIPTION

The high-efficiency performance of the Hatch **ELP14-2060-UNV** LED Emergency Driver meets California Energy Commission (CEC) Title 20 efficiency requirements and is certified in the CA Title 20 Appliance Efficiency Database. Hatch **ELP14-2060-UNV** allows an LED lighting fixture to be used for normal and emergency operation. In the event of a power failure, the **ELP14-2060-UNV** switches to emergency mode and operates the existing fixture for a minimum of 90 minutes. All of the LED Emergency Drivers in the Hatch line include a test switch with integrated charge indicator and are UL Listed for field or factory installation.

## BENEFITS

- Certified in CA TITLE 20 Appliance Efficiency Database
- Integrated, energy efficient LiFePO<sub>4</sub> Battery
- UL Listed for field and factory installation
- For use with emergency only fixtures as well as new and existing fixtures.

## FEATURES

- UL 924 LISTED for US and Canada
- Class 2 Compliant
- UL Listed for field and factory installation
- Integral, energy efficient LiFePO<sub>4</sub> battery
- Includes test switch and integrated charge indicator
- For use with switched or unswitched fixtures
- 5-Year Warranty
- Meets requirements for CEC Compliance
- Suitable for damp locations
- Includes installation guide and luminaire modification label
- For use with surface mounts or recessed type IC or non-IC products listed to UL standards.
- Leads are protected by flex conduit with 1/2" snap-in connectors for fast, code-compliant field retrofits

## 14W CONSTANT POWER LED EMERGENCY DRIVER ELP14-2060-UNV



## APPROVALS / CERTIFICATIONS

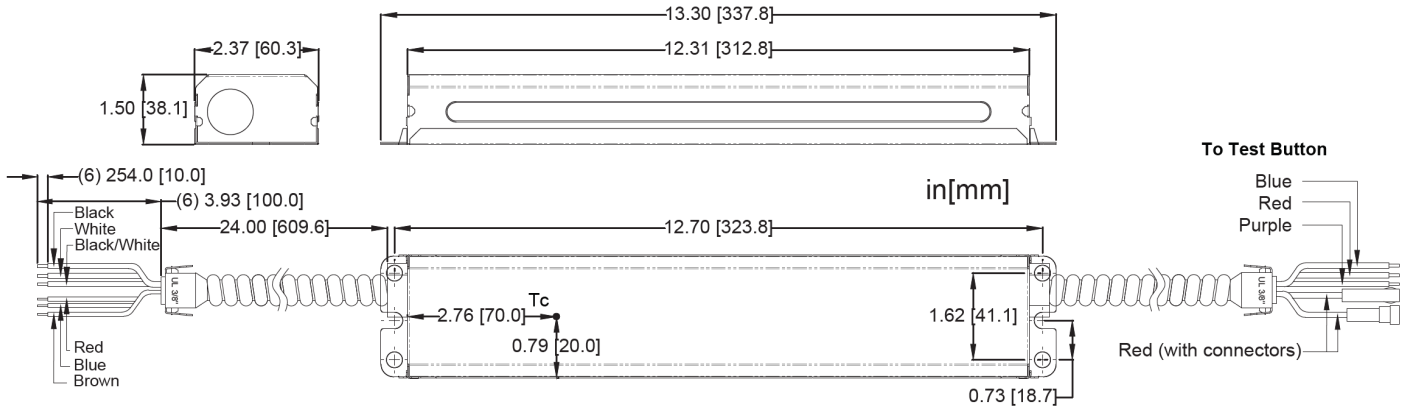


## SPECIFICATIONS

<b>Input Voltage</b>	120-277VAC ± 10%
<b>Frequency</b>	50/60Hz
<b>Output Voltage</b>	20-60 VDC* Class 2
<b>Output Current</b>	700mA @ 20Vdc 241mA @ 58Vdc
<b>Output Power</b>	14W (constant)
<b>Power Factor</b>	>0.9
<b>Emergency Operation</b>	90 Minutes
<b>Recharge Time</b>	24 hours
<b>Operating Temp.</b>	0 to 55°C
<b>Max Amb. Temp. (Battery)</b>	55°C
<b>Case Material</b>	Metal
<b>Battery</b>	LiFePO <sub>4</sub> 9.6Vdc
<b>Charging Current</b>	307mA
<b>EMI</b>	FCC, 47CFR Part 15
<b>Protections</b>	Over Voltage, Short Circuit, Over Current

\*The output power is valid for output voltage less than or equal to 58V, above that power will drop.

Product specifications are subject to change without notice.

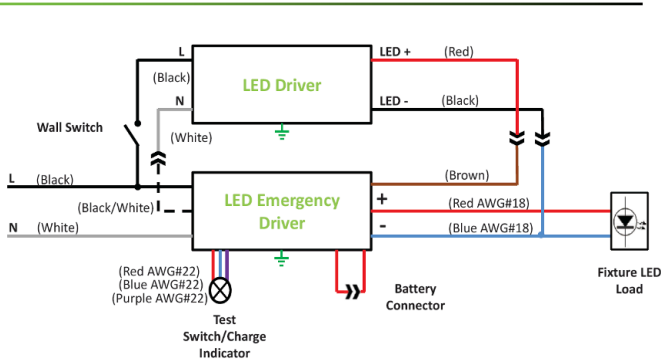


Length	13.30 [337.8]	Width	2.37 [60.3]
Height	1.50 [38.1]	Mounting	12.75 [323.8]

WIRING INFORMATION

Input	24", Black(L), White (N) #18AWG
Output	24", Red(+), Blue (-) #18AWG
LED Driver (N)	24", Black/White #18AWG
LED Driver (+)	24" Brown, #20AWG
Battery Connection	24", Red, Black #18AWG
Test Switch Connections	24", Red, Blue, Purple #22 AWG

WIRING DIAGRAM

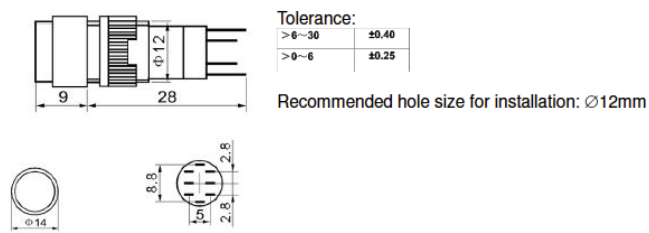


For additional wiring diagrams please visit <https://www.hatchlighting.com/elp-alternate-wiring-diagrams>

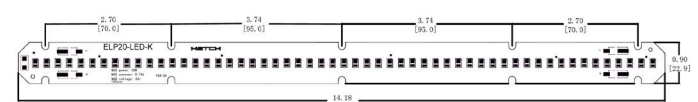
PACKAGING INFORMATION

Package Weight	3.06 lbs		
Quantity	8 pc/carton		
<b>INCLUDES</b>			
LED Emergency Driver	1	Tek Screws	2
Wall Plate	1	Test Button	1
Luminaire Mod. Label	1	Install. Guide	1
Screw Wire Connectors	3	Wall Plate Screws	2

TEST SWITCH



OPTIONAL LED MODULE



Part #	Max. Power	Max. Current	Typ. Voltage	Lumens/Watt	CRI
ELP20-LED-K	20	750mA	35V	~130	>80

TWO-PIECE CONFIGURATION AVAILABLE



See specification sheet for ELP14-UNV-K  
Features a separate LiFePO<sub>4</sub> Battery for added installation flexibility