

## PERFORMANCE

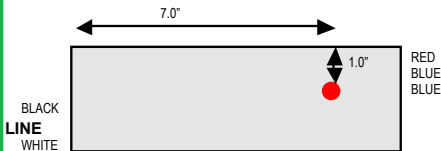
- Sound Rated: A
- Minimum Starting Temperature: -20°F, -29°C
- Maximum Case Temperature: 194°F, 90°C
- Meets FCC Part 18 (Class A) Non Consumer Limits
- Electronic Sign Ballast for 2 and 1 T12HO lamps up to 8 ft long or any combination thereof from 2-16 ft
- Electronic Sign Ballast for 2 and 1 T8HO lamps up to 6 ft long or any combination thereof from 4-12 ft

## APPROVALS

- HL Type - Hazardous Location
- UL, cUL 935 Listed



## HOT SPOT LOCATION



## WIRE LENGTHS

- (1) Black 24"
- (1) White 24"
- (1) Red 96"
- (2) Blue 96"

**3 YEAR WARRANTY FROM DATE OF MANUFACTURE**

## ELECTRONIC FLUORESCENT SIGN BALLAST

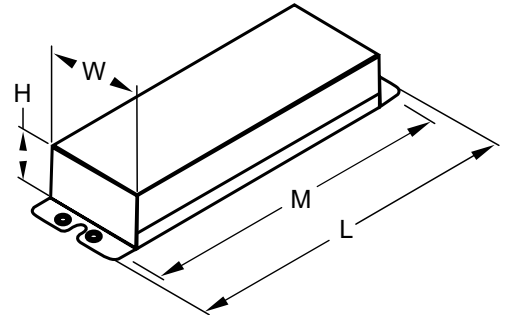
<b>Ballast Type</b>	Electronic	<b>Starting Method</b>	Instant Start
<b>Lamp Connection</b>	Parallel	<b>Input Voltage</b>	120 ~ 277Vac ± 10%
<b>Input Frequency</b>	50Hz / 60Hz		

## Electrical Specifications

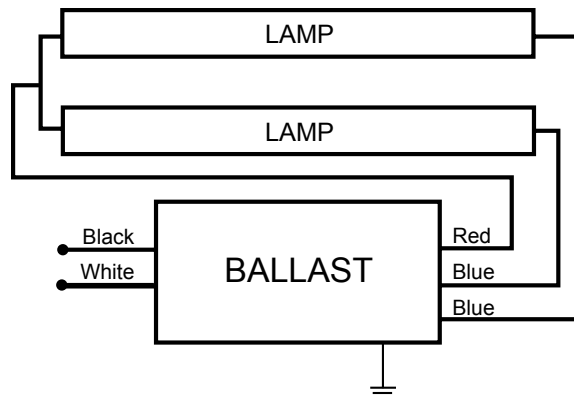
Lamp Type	No. of Lamps	Lamp Footage		Volts	Input Watts	Input Current (Amps)	Power Factor	Crest Factor	Max. THD %
		Min	Max						
<b>F96T12/HO</b>	2, 1	2	16	120	131	1.20	>0.90	<1.7	10
<b>F96T12/HO</b>	2, 1	2	16	277	132	0.50	>0.90	<1.7	10
<b>F72T8/HO</b>	2, 1	4	12	120	122	1.10	>0.90	<1.7	10
<b>F72T8/HO</b>	2, 1	4	12	277	121	0.45	>0.90	<1.7	10

## Physical Dimensions

Length (L): 9.50"  
 Width (W): 2.36"  
 Height (H): 1.70"  
 Mounting (M): 8.90"



## Wiring Diagram



Two Lamps Application  
 (Cap off 1 Blue Lead for 1 lamp application)