

DIMMABLE ELECTRONIC LOW VOLTAGE TRANSFORMERS

60 & 75 Watt Models

GENERAL INFORMATION

Input Voltage	120VAC, 277VAC, 230V - 50-60Hz
Output	11.5 VAC
Enclosure Material	Aluminum
Weight	2.4 oz.
Power Factor	0.98
Total Harmonic Distortion	≤ 20%
Input	8", 18AWG stranded, 105 degree C stripped 3/8" tinned
Output	6", 18AWG stranded, 200 degree C stripped 3/8" tinned

PRODUCT FEATURES

- High Reliability
- Moisture Resistant
- Emits no audible noise
- Low Harmonic Distortion
- High power factor
- Lightweight, compact design
- Small case size
- Works with most commercially available dimmers. Hardwire electronic dimmers are recommended for optimum performance.

HARDWIRE ELECTRONIC

Max Watts	Min Watts	Hatch Part Number	Input Volts	Output Volts	Input Amps	Output Amps	Case Style	Safety Listing
60	10	RL12-60A	120	11.5	0.50	5.3	A	UL/C-UL Recognized, Class 2
75 Watt								
75	10	RL12-75A	120	11.5	0.63	6.3	A	UL/C-UL Recognized, Class 2
		RL12-75ABF					B	
		RL12-75A-277*	277		0.27	6.25	A	
		RL12-75ABF-277*	277				B	
		RL12-75-230WD	230		0.35	A		

NOTE: Must use a minimum of 20 watts when using dimmers. It is also important to confirm dimming controls compatibility with the manufacturer and your Hatch representative.

*277 Volt dimming not recommended.

RL HARDWIRE TRANSFORMERS



ENVIRONMENTAL SPECIFICATIONS

Maximum Case Temp.	90°C
Minimum Starting Temp.	-18°C
Maximum Storage Temp.	85°C
Sound Rating	A+
Operating Humidity	95% relative humidity, non-condensating
Environmental Protection	Fully potted for moisture resistance and shock/vibration resistance

APPROVALS

- UL Class 2 Approved
- RoHS Compliant

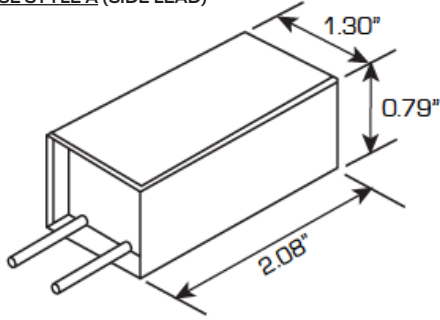




DIMENSIONS

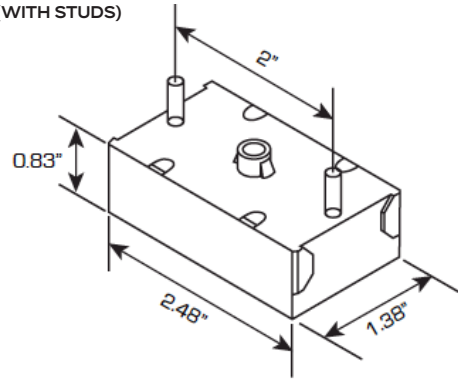
RL 60 through 75 Watt

CASE STYLE A (SIDE LEAD)



RL 60 through 75 Bottom Feed

CASE STYLE B (WITH STUDS)



WIRING DIAGRAMS

DIAGRAM A

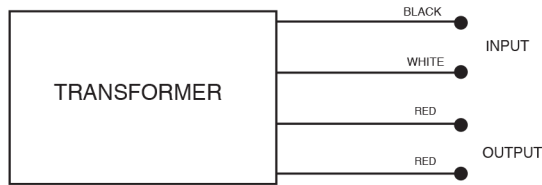
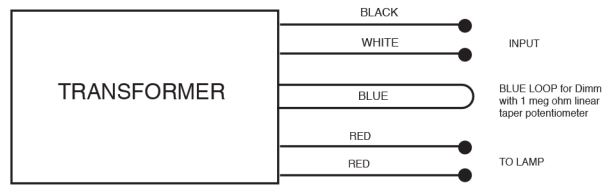


DIAGRAM B for RL12-75-230WD*



*WD units are for use with halogen lamps only. WD models have dimming loop for use with 1 meg ohm potentiometer versus line side dimmer controls.