

LC SERIES

CONSTANT CURRENT LED DRIVERS

CONSTANT CURRENT LED DRIVER CASE STYLE: POLYCARBONATE



GENERAL INFORMATION

LED Drive Type	Constant Current Class 2
Maximum Wattage	8.4W
Input Voltage	120-277 (+/- 10%)
Input Frequency	50/60 Hz
Power Factor @ Full Load	>0.9
Efficiency @ Full Load	80%
THD	<20%
Start-Up Time	<500ms
Dimming	Non-Dimming
Output Over Current Protection	Hiccup Mode
Output Short-Circuit Protection	Hiccup Mode
Over Temperature Protection	Hiccup Mode
EMI Compliance	FCC Part 15 Class B

ENVIRONMENTAL SPECIFICATIONS

Minimum Operating Temp.	-20° C
Maximum Case Temp.	+80° C
Maximum Storage Temp.	+85° C
Maximum Relative Humidity	90% non-condensing
Transient Protection	2kV
UL Environment Rating	Dry and Damp
Sound Rating	Class A

APPROVALS



WARRANTY

- 5 year limited warranty

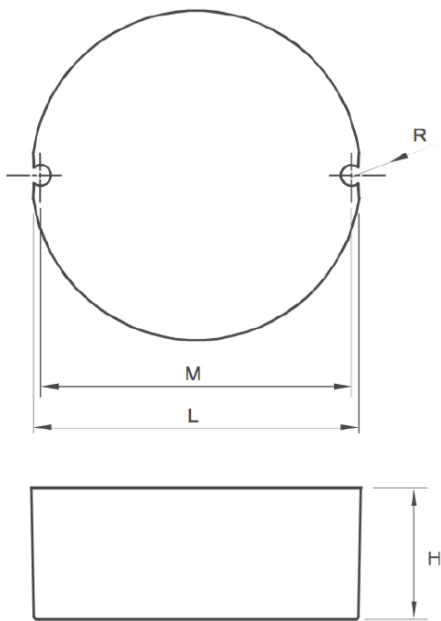
ELECTRICAL SPECIFICATIONS

Max. Power	Rated Current	Output Voltage (VDC)	Input Voltage	Dimming Type	Input Current (A)(120/277V)	Part Number
8W	350mA	9-24V	120-277 VAC	Non-Dimming	0.12/0.06A	LCA009-RL-UNV
	700mA	6-12V			0.13/0.06A	LCB009-RL-UNV

LC SERIES

CONSTANT CURRENT LED DRIVERS

SIZING INFORMATION



L = 2.17in (55mm) M = 2.05in (52mm)

H = 0.87in (22mm) R = 0.07in (1.7mm)

WIRING INFORMATION

Input	12", Black (L), White (N) #18AWG
Output	12", Red (+), Black (-) #18AWG

PACKAGING INFORMATION

Package Weight	4.1 oz
Quantity	100 pcs/carton