

LC SERIES

CONSTANT CURRENT LED DRIVERS

CONSTANT CURRENT LED DRIVER CASE STYLE W: POLYCARBONATE



GENERAL INFORMATION

LED Drive Type	Constant Current Class 2
Maximum Wattage	40W
Input Voltage	120-277VAC (+/-10%)
Input Frequency	50/60 Hz
Power Factor @ Full Load	>0.9
Efficiency @ Full Load	Up to 87% (See chart)
THD	<20%
Start-Up Time	<750ms
Output Current Tolerance	5%
Line Regulation	1%
Load Regulation (Max Load)	2%
Dimming	0-10V (Min 10%)
Output Over Current Protection	Hiccup Mode
Output Short-Circuit Protection	Hiccup Mode
Over Temperature Protection	Auto-Recovery
EMI Compliance	FCC Part 15 Class B

ENVIRONMENTAL SPECIFICATIONS

Minimum Operating Temp.	-40° C
Maximum Case Temp.	+90° C
Maximum Storage Temp.	+85° C
Maximum Relative Humidity	95% Non-condensing
Transient Protection	2kV L-N, 4kV L/N-GND
UL Environment Rating	Dry & Damp
Sound Rating	Class A

APPROVALS



WARRANTY

- 5 year limited warranty

ELECTRICAL SPECIFICATIONS

Max. Power	Rated Current	Output Voltage (VDC)	Input Voltage	Dimming Type	Input Power	Input Current	Efficiency	Part Number
40W	**350mA	38 - 114 VDC	120-277 VAC	0-10V Dimming	46W	0.44/0.20A	87%	**LC40-0350Z-UNV-W
	*700mA	19 - 57 VDC					86%	*LC40-0700Z-UNV-W
	1050mA	12 - 36 VDC					86%	LC40-1050Z-UNV-W

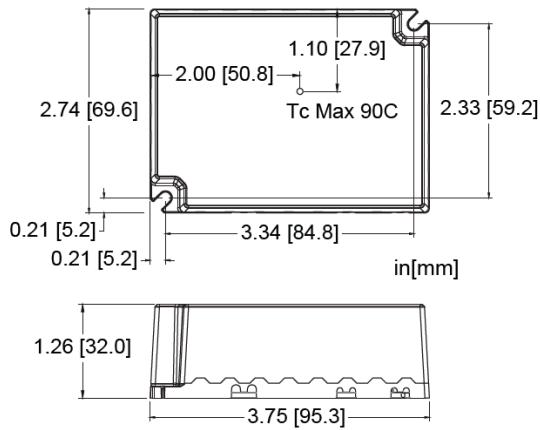
Custom output current available on Made to Order basis

** Non-Class 2 *Class 2 US Only

LC SERIES

CONSTANT CURRENT LED DRIVERS

SIZING INFORMATION: CASE STYLE W



Specifications subject to change without notice.

WIRING INFORMATION

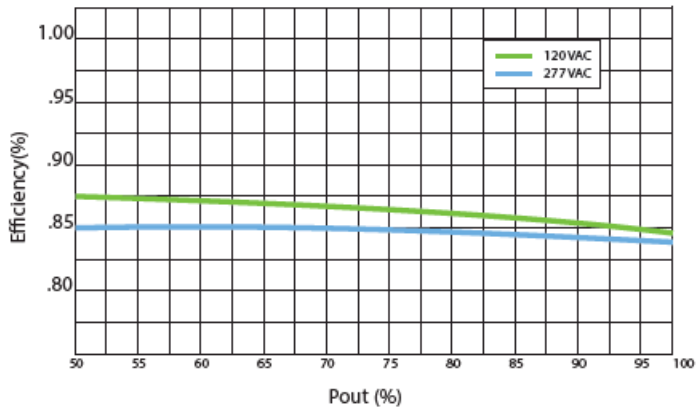
Input	12", Black (L), White (N) #18AWG
Output	12", Red (+), Blue (-) #18AWG
Dimming	12", Purple (+), Pink (-) #22AWG

PACKAGING INFORMATION

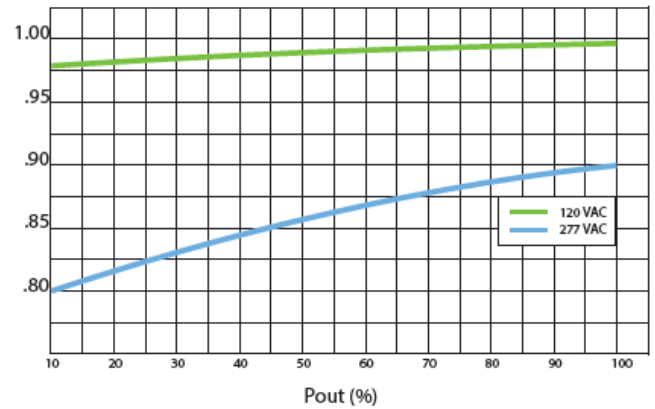
Package Weight	12.25oz
Quantity	40pcs/carton

PERFORMANCE CURVES

Efficiency vs. Output Power - 0-10V-Dimming



Power Factor vs. Output Power - 0-10V-Dimming

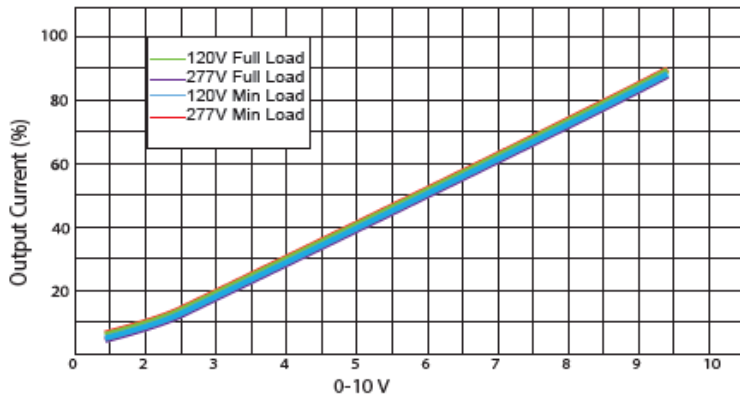


LC SERIES

CONSTANT CURRENT LED DRIVERS

PERFORMANCE CURVES

Dimming Curve - 0-10V Dimming



Output voltage range must be maintained throughout entire dimming range.

Lifetime vs. Case Temperature

