



Emergency
Lighting
Products

ONE-PIECE LED EMERGENCY DRIVERS



The Hatch ELP-2060 series of LED Emergency Drivers feature constant power emergency backup in a one-piece construction by integrating the LED Driver and battery in the same enclosure. UL Listed for field or factory installation plus the attached flex conduit make for quick and convenient integration. In the event of a power failure, the LED Driver automatically switches to emergency mode and delivers constant power to the fixture for a minimum of 90 minutes. In addition, “-SD” models feature advanced diagnostic capabilities for easy and flexible system testing. All drivers in the ELP-2060 series are **CEC Title 20 compliant** and use long-life LiFePO₄ battery technology.

ELECTRICAL SPECIFICATIONS TABLE

Output Power	Input Voltage	Output Voltage	Hatch Part Number	CEC Compliant
7W	120 - 277 VAC	20 - 60 VDC	ELP07-2060-UNV	Yes
10W	120 - 277 VAC	20 - 60 VDC	ELP10-2060-UNV	Yes
10W	120 - 277 VAC	20 - 60 VDC	ELP10-2060-UNV-NC	Yes
14W	120 - 277 VAC	20 - 60 VDC	ELP14-2060-UNV	Yes
20W	120 - 277 VAC	20 - 60 VDC	*ELP20-2060-UNV-SD	Yes

*Includes advanced diagnostic and reporting capabilities

TYPICAL PRODUCT FEATURES

- Long life high temperature environmentally-friendly LiFePO₄ Battery used in most models
- Class 2 output
- Integrated snap-in flex conduit on single-piece models
- Includes test switch with integrated charge indicator
- For use with switched or unswitched fixtures
- Meets or exceeds all national electrical code and life safety code emergency lighting requirements
- Suitable for dry or damp locations
- UL Listed for field or factory installation with fixtures that meet the requirements in the installation guide
- Includes installation guide and luminaire modification label

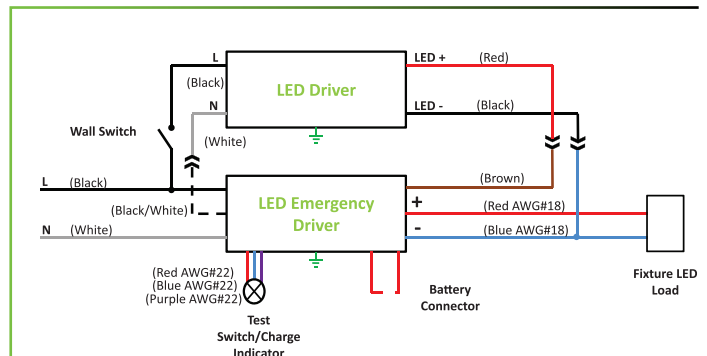
APPLICATIONS

- Existing or new fixtures
- Surface mount or recessed type IC or non IC products
- Troffers
- Recessed lights
- Flat panel
- Non-LED fixtures (use Hatch LED module as lights source)

WARRANTY

- 5-year limited warranty

TYPICAL WIRING DIAGRAM





**Emergency
Lighting
Products**

TWO-PIECE LED EMERGENCY DRIVERS



ELP Driver



ELP Battery

Hatch's kit form of ELP constant power Emergency LED Driver line is available in 5 wattages. The kit form consists of a driver and a separate battery module with easy connection between the two. By separating the battery, maximum mounting flexibility is achieved. For small luminaires, the driver can be installed inside the luminaire or inside a protective housing. Since the battery is a low voltage class 2 connection, it can be installed on or adjacent to the fixture with no special protections.

ELECTRICAL SPECIFICATIONS TABLE

Output Power	Input Voltage	Output Voltage	Hatch Part Number	CEC Compliant
5W	120 - 277 VAC	12- 39 VDC	ELP05-UNV-K	No
7W	120 - 277 VAC	20 - 60 VDC	ELP07-UNV-K	Yes
10W	120 - 277 VAC	20 - 60 VDC	ELP10-UNV-K	Yes
12W	120 - 277 VAC	12 - 39 VDC	ELP12-UNV-K	No
14W	120 - 277 VAC	20 - 60 VDC	ELP14-UNV-K	Yes

LED MODULES

LED modules from Hatch provide a matched LED light source for Hatch Emergency Drivers. They are available in 3 different versions to cover the entire family of Hatch Emergency Drivers, and are tuned to provide 130 lumens/watt of light for emergency egress illumination. When paired with Hatch Emergency Drivers, they are the perfect light source for LED retrofit applications.

LED Module	Corresponding Emergency Drivers
ELP07-LED-K	ELP05 and ELP07 drivers
ELP12-LED-K	ELP10 and ELP12 drivers
ELP20-LED-K	ELP14 and ELP20 drivers

ELP07-LED-K



ELP12-LED-K



ELP20-LED-K

