

# LV SERIES

CONSTANT VOLTAGE LED DRIVERS

## CONSTANT VOLTAGE LED DRIVER CASE STYLE J: METAL WITH KNOCKOUTS



### GENERAL INFORMATION

LED Drive Type	Constant Voltage Class 2
Wattage	99W
Input Voltage	120-277 VAC
Input Frequency	50/60Hz
Power Factor @ Full Load	>0.9
Efficiency @ Full Load	86%
Start-Up Time	<1s
Line Regulation	1%
Output Voltage Tolerance (@25°C)	+/- 5%
Output Overload Protection	Hiccup Mode
Output Short-Circuit Protection	Hiccup Mode
EMI Compliance	FCC Part 15 Class B

### ENVIRONMENTAL SPECIFICATIONS

Minimum Operating Temp.	-40°C
Maximum Case Temp.	90°C
Maximum Storage Temp.	85°C
Maximum Relative Humidity	95% Non-condensing
Transient Protection	2kV
UL Environment Rating	Dry & Damp
Sound Rating	Class A

### APPROVALS



### WARRANTY

- 5 year limited warranty

### ELECTRICAL SPECIFICATIONS

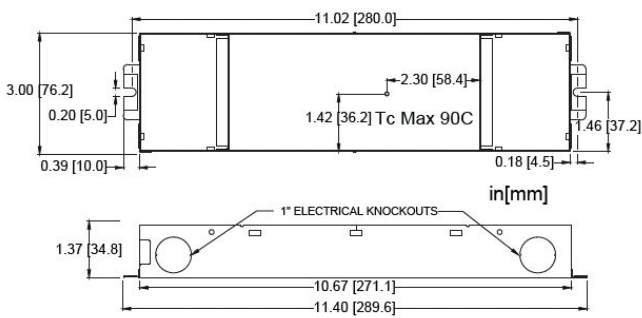
Max. Power (W)	Output Voltage (VDC)	Output Current (A)	Efficiency	Input Current (A)(120V)	Part Number
99W	24 VDC	4.17A	86%	0.94/0.41A	LV100-24N-UNV-J

Output Designed for LED Loads Only

# LV SERIES

CONSTANT VOLTAGE LED DRIVERS

## SIZING INFORMATION



Always confirm fit with a physical sample.  
Specifications subject to change without notice.

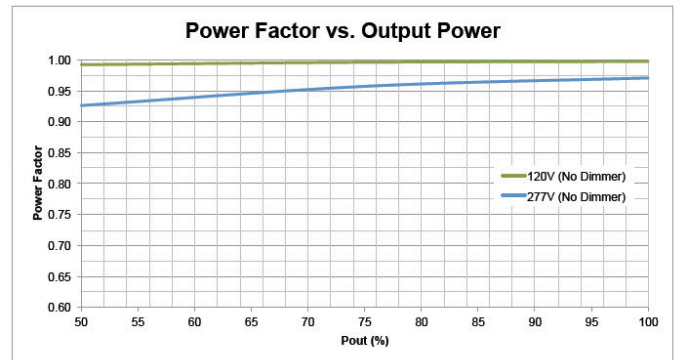
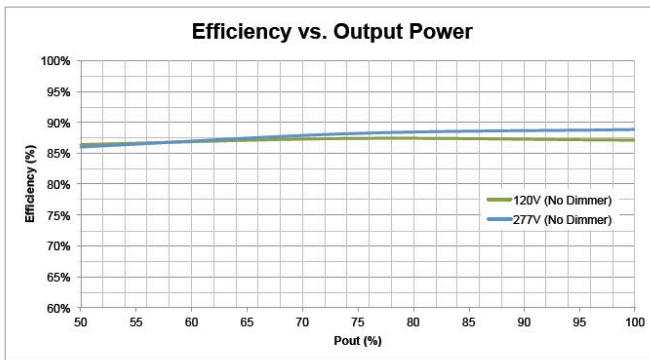
## WIRING INFORMATION

<b>Input</b>	12", Black (L), White (N) #18AWG
<b>Output</b>	12", Red (+), Blue (-) #18AWG

## PACKAGING INFORMATION

<b>Weight</b>	39.2oz
<b>Quantity</b>	15pcs/carton

## PLOT DATA

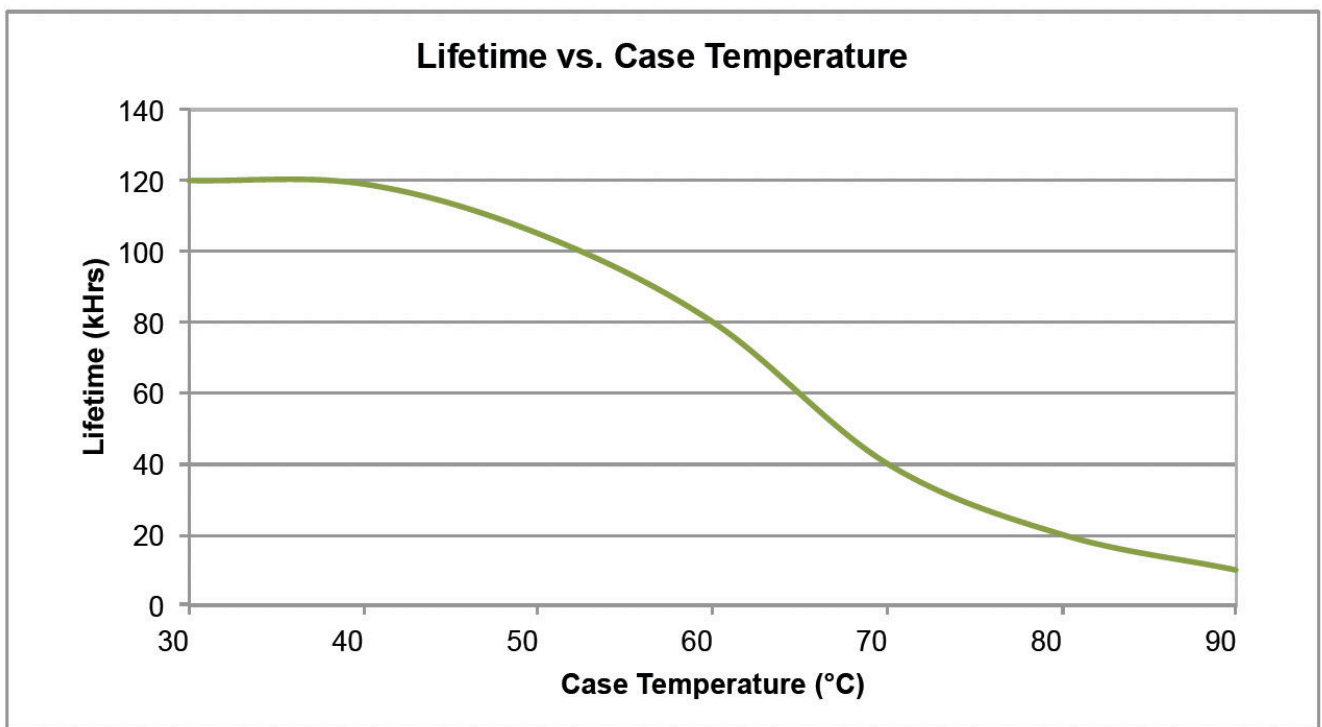


Efficiency and PF measured at 25°C.  
Measurements made on model LV100-24N-UNV-J.

# LV SERIES

CONSTANT VOLTAGE LED DRIVERS

## PLOT DATA



Efficiency and PF measured at 25°C.  
Measurements made on model LV100-24N-UNV-J.