

LV SERIES

CONSTANT VOLTAGE LED DRIVERS

CONSTANT VOLTAGE LED DRIVER CASE STYLE J: METAL WITH KNOCKOUTS



GENERAL INFORMATION

LED Drive Type	Constant Voltage Class 2
Wattage	99W
Input Voltage	120-277 VAC
Input Frequency	50/60Hz
Power Factor @ Full Load	>0.9
Efficiency @ Full Load	86%
Start-Up Time	<1s
Line Regulation	1%
Output Voltage Tolerance (@25°C)	+/- 5%
Output Overload Protection	Hiccup Mode
Output Short-Circuit Protection	Hiccup Mode
EMI Compliance	FCC Part 15 Class B
Minimum Load	No Minimum Load

ENVIRONMENTAL SPECIFICATIONS

Minimum Operating Temp.	-40°C
Maximum Case Temp.	90°C
Maximum Storage Temp.	85°C
Maximum Relative Humidity	95% Non-condensing
Transient Protection	2kV
UL Environment Rating	Dry & Damp
Sound Rating	Class A

APPROVALS



WARRANTY

- 5 year limited warranty

ELECTRICAL SPECIFICATIONS

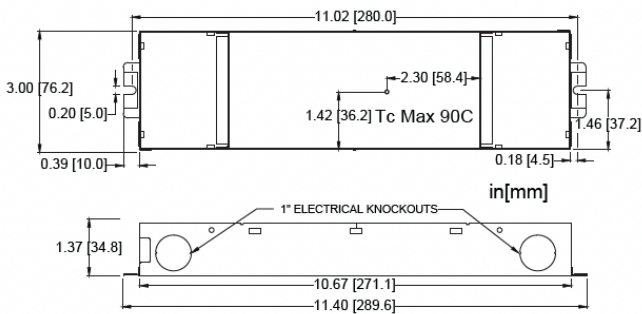
Max. Power (W)	Output Voltage (VDC)	Output Current (A)	Efficiency	Input Current (A)(120V)	Part Number
99W	24 VDC	4.17A	86%	0.94/0.41A	LV100-24N-UNV-J

Output Designed for LED Loads Only

LV SERIES

CONSTANT VOLTAGE LED DRIVERS

SIZING INFORMATION



Always confirm fit with a physical sample.
Specifications subject to change without notice.

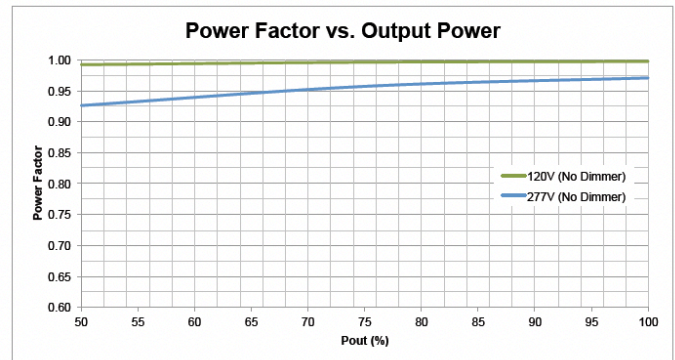
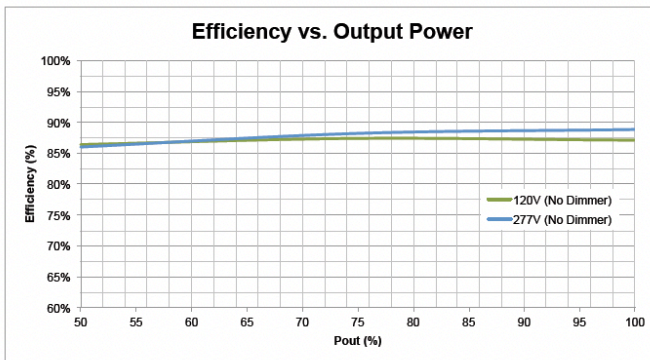
WIRING INFORMATION

Input	12", Black (L), White (N) #18AWG
Output	12", Red (+), Blue (-) #18AWG

PACKAGING INFORMATION

Weight	39.2oz
Quantity	15pcs/carton

PLOT DATA

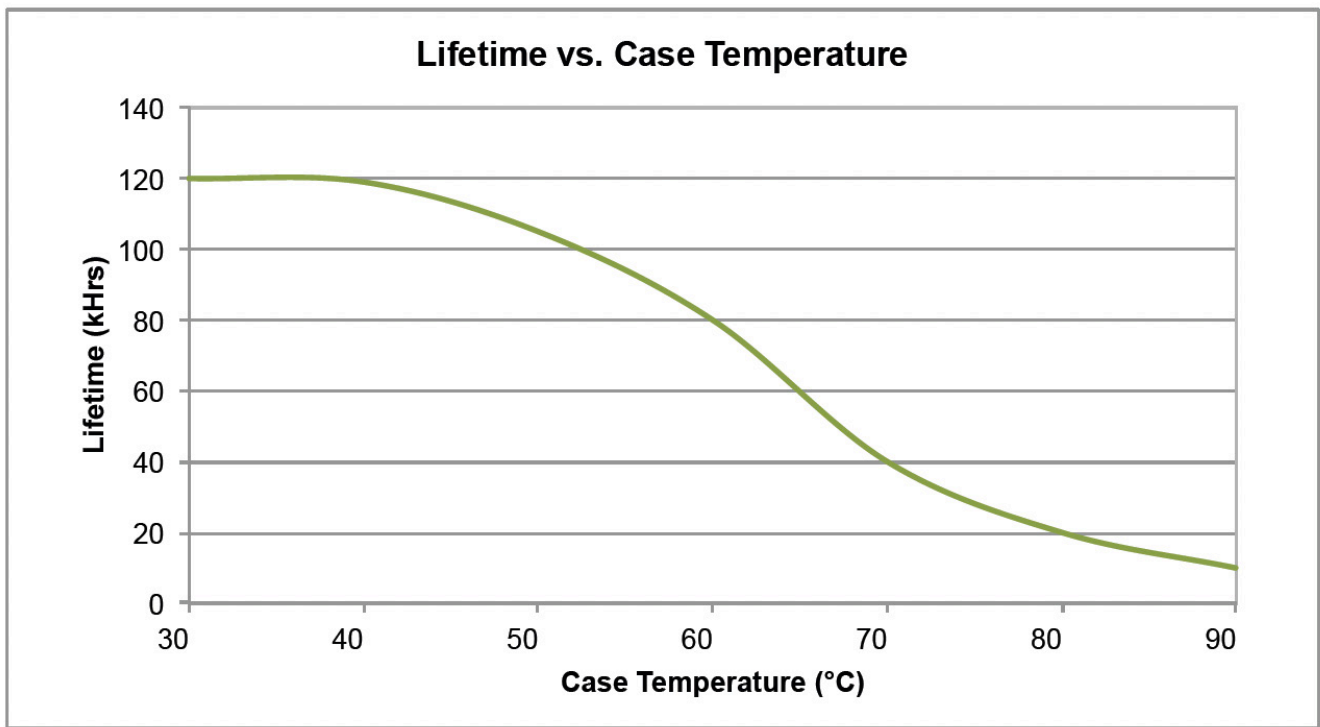


Efficiency and PF measured at 25°C.
Measurements made on model LV100-24N-UNV-J.

LV SERIES

CONSTANT VOLTAGE LED DRIVERS

PLOT DATA



Efficiency and PF measured at 25°C.
Measurements made on model LV100-24N-UNV-J.