

LV SERIES

CONSTANT VOLTAGE LED DRIVERS

CONSTANT VOLTAGE LED DRIVER CASE STYLE W: POLYCARBONATE



GENERAL INFORMATION

LED Drive Type	Constant Voltage Class 2
Wattage	40W
Input Voltage	120-277VAC (+/- 10%)
Input Frequency	50/60Hz
Power Factor @ Full Load	>0.9
Efficiency @ Full Load	86%
Start-Up Time	<1s
Line Regulation	1%
Output Voltage Tolerance (@25°C)	+/- 5%
Output Overload Protection	Hiccup Mode
Output Short-Circuit Protection	Hiccup Mode
EMI Compliance	FCC Part 15 Class B
Minimum Load	10% of Max Output Current

ENVIRONMENTAL SPECIFICATIONS

Minimum Operating Temp.	-40°C
Maximum Case Temp.	90°C
Maximum Storage Temp.	85°C
Maximum Relative Humidity	95% Non-condensing
Transient Protection	1kV
UL Environment Rating	Dry & Damp
Sound Rating	Class A

APPROVALS



WARRANTY

- 5 year limited warranty

ELECTRICAL SPECIFICATIONS

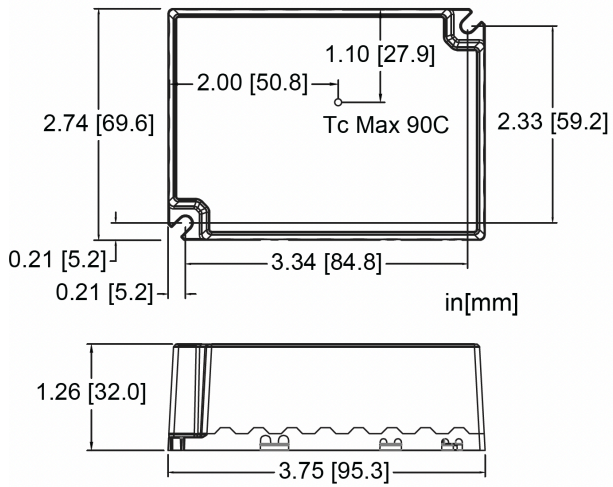
Max. Power (W)	Output Voltage (VDC)	Output Current (A)	Efficiency	THD @ Full Load (120V)	Input Current (A)(120V)	Part Number
40W	24 VDC	.17A - 1.7A	86%	<20%	0.48/0.22A	LV40-24N-UNV-W

Output Designed for LED Loads Only

LV SERIES

CONSTANT VOLTAGE LED DRIVERS

SIZING INFORMATION



Always confirm fit with a physical sample.
Specifications subject to change without notice.

WIRING INFORMATION

Input	12", Black (L), White (N) #18AWG
Output	12", Red (+), Blue (-) #20AWG

PACKAGING INFORMATION

Weight	10.6oz
Quantity	40pcs/carton