



**Emergency  
Lighting  
Products**

## 20W CONSTANT POWER LED EMERGENCY DRIVER ELP20-2455-UNV-1C



### PRODUCT DESCRIPTION

The high-efficiency performance of the Hatch **ELP20-2455-UNV-1C** LED Emergency Driver meets California Energy Commission (CEC) Title 20 efficiency requirements and is certified in the CA Title 20 Appliance Efficiency Database. Hatch **ELP20-2455-UNV-1C** allows an LED lighting fixture to be used for normal and emergency operation. In the event of a power failure, the **ELP20-2455-UNV-1C** switches to emergency mode and operates the existing fixture for a minimum of 90 minutes. All of the LED Emergency Drivers in the Hatch line include a test switch with integrated charge indicator and are UL Listed for field or factory installation.

### APPROVALS / CERTIFICATIONS



### BENEFITS

- Certified in CA TITLE 20 Appliance Efficiency Database
- Integrated, energy efficient LiFePO<sub>4</sub> Battery
- UL Listed for field and factory installation
- For use with emergency only fixtures as well as new and existing fixtures

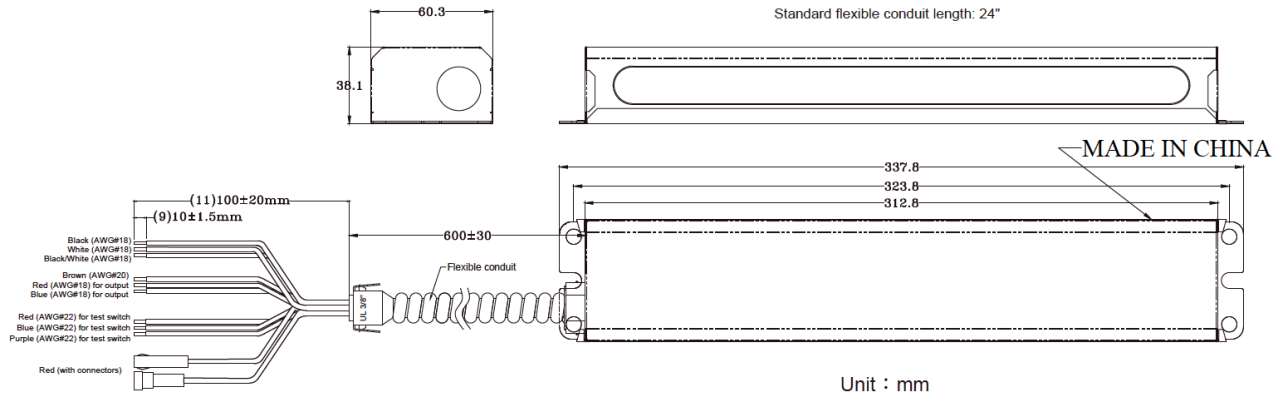
### SPECIFICATIONS

|                         |   |
|-------------------------|---|
| Input Voltage           | 120-277VAC ± 10%  |
| Frequency               | 50/60Hz   |
| Output Voltage          | 24-55VDC Class 2  |
| Output Current          | 833mA @ 24V DC<br>363mA @ 55V DC  |
| Output Power            | 20W (Constant)  |
| Power Factor            | >0.5  |
| Emergency Operation     | 90 Minutes  |
| Recharge Time           | 24 Hours  |
| Operating Ambient Temp. | 0 to 55°C   |
| Turn on Delay           | <1s   |
| Case Material           | Metal   |
| Battery                 | LiFePO <sub>4</sub>   |
| Storage Temp            | -20 to +55 deg. C   |
| EMI                     | FCC, 47CFR Part 15  |
| Protections             | Over Voltage, Short Circuit,<br>Over Current (Hiccup with<br>Auto Recovery) |

Product specifications are subject to change without notice.

### FEATURES

- UL 924 LISTED for US and Canada
- Class 2 Compliant
- UL Listed for field and factory installation
- Integral, energy efficient LiFePO<sub>4</sub> battery
- Includes test switch and integrated charge indicator
- For use with switched or unswitched fixtures
- 5-Year Warranty
- Meets requirements for CEC Compliance
- Suitable for damp locations
- Includes installation guide and luminaire modification label
- For use with surface mounts or recessed type IC or non-IC products listed to UL standards.

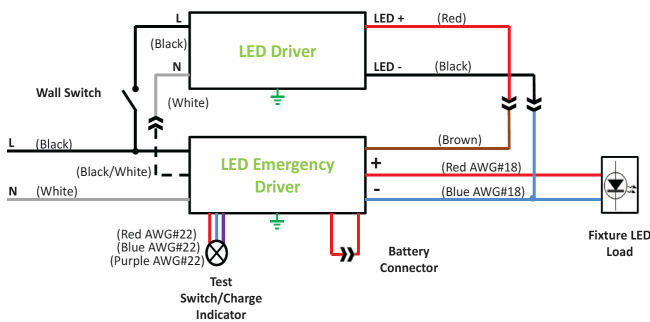


|               |                  |                 |                  |
|---------------|------------------|-----------------|------------------|
| <b>Length</b> | 13.3in (337.8mm) | <b>Width</b>    | 2.4in (60.3mm)   |
| <b>Height</b> | 1.5in (38.1mm)   | <b>Mounting</b> | 12.7in (323.8mm) |

WIRING INFORMATION

|                                |                                |
|--------------------------------|--------------------------------|
| <b>Input</b>                   | 4", Black(L), White (N) #18AWG |
| <b>Output</b>                  | 4", Red(+), Blue (-) #18AWG    |
| <b>LED Driver (N)</b>          | 4", Black/White #18AWG         |
| <b>LED Driver (+)</b>          | 4", Brown, #20AWG              |
| <b>Battery Connection</b>      | 4", Red, Red #18AWG            |
| <b>Test Switch Connections</b> | 4", Red, Blue, Purple #22 AWG  |

WIRING DIAGRAM



For additional wiring diagrams please visit <https://www.hatchlighting.com/elp-alternate-wiring-diagrams>

PACKAGING INFORMATION

|                       |             |                   |   |
|-----------------------|-------------|-------------------|---|
| <b>Package Weight</b> | 2.2 lbs     |                   |   |
| <b>Quantity</b>       | 8 pc/carton |                   |   |
| <b>INCLUDES</b>       |             |                   |   |
| LED Emergency Driver  | 1           | Tek Screws        | 2 |
| Wall Plate            | 1           | Test Button       | 1 |
| Luminaire Mod. Label  | 1           | Install. Guide    | 1 |
| Screw Wire Connectors | 3           | Wall Plate Screws | 2 |

TEST SWITCH

