



Emergency Lighting Products

ONE-PIECE LED EMERGENCY DRIVERS



Hatch one-piece LED Emergency Drivers integrate the LED driver and battery into a single enclosure. All units feature a constant power architecture and are UL Listed for field or factory installation. In the event of a power failure, the LED Driver automatically switches to emergency mode and delivers constant power to the fixture for a minimum of 90 minutes. All drivers in the one-piece series are CEC Title 20 compliant and use long-life LiFePO₄ battery technology. Versions are available with and without conduit. The version with conduit attached makes for quick and easy installation outside of a fixture. Versions with no conduit attached have lead wires for easy installation into fixtures.

ELECTRICAL SPECIFICATIONS TABLE

Output Power	Input Voltage	Output Voltage	Hatch Part Number	Conduit
7W	120 - 277 VAC	20 - 60 VDC	ELP07-2060-UNV	Double Conduit
10W	120 - 277 VAC	20 - 60 VDC	ELP10-2060-UNV	Double Conduit
10W	120 - 277 VAC	20 - 60 VDC	ELP10-2060-UNV-NC*	No Conduit (Lead Wires)
10W	120 - 277 VAC	20 - 60 VDC	ELP10-2060-UNV-1C*	Single Conduit
14W	120 - 277 VAC	20 - 60 VDC	ELP14-2060-UNV	Double Conduit
20W	120 - 277 VAC	24-55 VDC	ELP20-2455-UNV-NC*	No Conduit (Lead Wires)
20W	120 - 277 VAC	24-55 VDC	ELP20-2455-UNV-1C*	Single Conduit

*Updated models with a compact form factor. Please refer to specifications for exact dimensions.

TYPICAL PRODUCT FEATURES

- Long life high-temperature environmentally friendly LiFePO₄ Battery used in most models
- Class 2 output
- Includes test switch with integrated charge indicator
- For use with switched or unswitched fixtures
- Meets or exceeds all national electrical code and life safety code emergency lighting requirements
- Suitable for dry or damp locations
- UL Listed for field or factory installation with fixtures that meet the requirements in the installation guide
- Includes installation guide and luminaire modification label

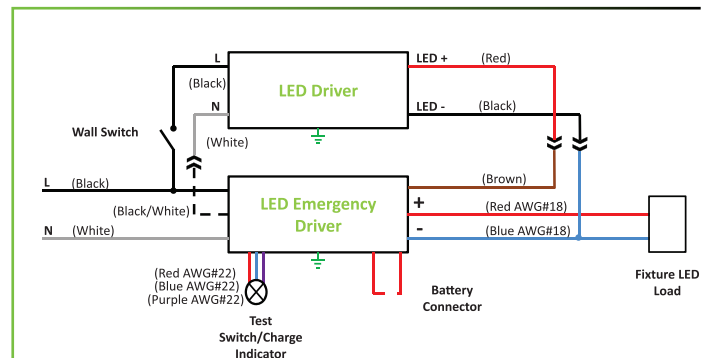
APPLICATIONS

- Existing or new fixtures
- Surface mount or recessed type IC or non IC products
- Troffers
- Recessed lights
- Flat panel
- Non-LED fixtures (you can use a Hatch LED module as the emergency light source)

WARRANTY

- 5-year limited warranty

TYPICAL WIRING DIAGRAM





**Emergency
Lighting
Products**

TWO-PIECE LED EMERGENCY DRIVERS



ELP Driver



ELP Battery

Hatch's two-piece LED Emergency Drivers separate the driver and battery into two modules with quick connection between the two. All units feature a constant power architecture. By separating out the battery, maximum mounting flexibility is achieved. For small luminaires, the driver can be installed inside the luminaire or inside a protective housing. Since the battery module features a low voltage, Class 2 connection, it can be installed on or adjacent to the fixture with no special protection.

ELECTRICAL SPECIFICATIONS TABLE

Output Power	Input Voltage	Output Voltage	Hatch Part Number	CEC Compliant
5W	120 - 277 VAC	12 - 39 VDC	ELP05-UNV-K	No
7W	120 - 277 VAC	20 - 60 VDC	ELP07-UNV-K	Yes
10W	120 - 277 VAC	20 - 60 VDC	ELP10-UNV-K	Yes
12W	120 - 277 VAC	12 - 39 VDC	ELP12-UNV-K	No
14W	120 - 277 VAC	20 - 60 VDC	ELP14-UNV-K	Yes

LED MODULES

LED modules from Hatch provide a matched LED light source for Hatch Emergency Drivers. They are available in 3 different versions to cover the entire family of Hatch Emergency Drivers, and are tuned to provide 130 lumens/watt of light for emergency egress illumination. When paired with Hatch Emergency Drivers, they are the perfect light source for LED retrofit applications.

LED Module	Corresponding Emergency Drivers
ELP07-LED-K	ELP05 and ELP07 drivers
ELP12-LED-K	ELP10 and ELP12 drivers
ELP20-LED-K	ELP14 and ELP20 drivers

ELP07-LED-K



ELP12-LED-K



ELP20-LED-K

